

1

2

3

4

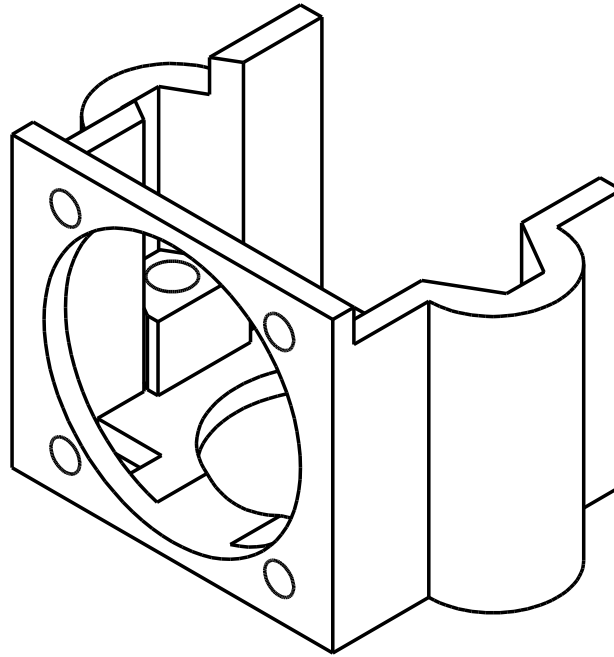
A

B

C

D

E



Unless Otherwise Specified:

Dimensions in mm
 Tolerances: Fractional ±
 Angular: Mach ± Bend ±
 Two Place Decimal ±
 Three Place Decimal ±

Finish

--

Debur and Break Sharp Edges

Do Not Scale Drawing

Hellinge LICHT GmbH

	Name	Date	Comments
Drawn	Hellinge	08.11.13	CAD Generated Drawing Do Not Manually Update
Checked			
ENG Appr.			
MFR Appr.			
QA			

Material

ABS

K8200

Lüftergehäuse

HELLINGE



Size

A4

Drawing No.

0001

Rev

A

Scale

2:1

CAD File

Sheet

1 of 1

F